

Date	Prepared by	Approved by	Document nos	Rev
16 Mar 2024	Ray Ling	Pavel	MBA-4C4A3VS-IM-001	0

## INSTRUCTION MANUAL MS-MBA-4-C4A3

### TABLE OF CONTENTS:

#### 1.00 BEAMS & CONNECTORS:

- 1.10 Plan View Resultant Beam Layout
- 1.20 Connector Port Table
- 1.30 Connector Detail
- 1.40 Connector Layout

#### 2.00 PATTERN DIAGRAM

- 2.10 Horizontal Pattern
- 2.20 Vertical Pattern

#### 3.00 MANUAL TILT ADJUSTMENT

#### 4.00 BRACKET INSTALLATION

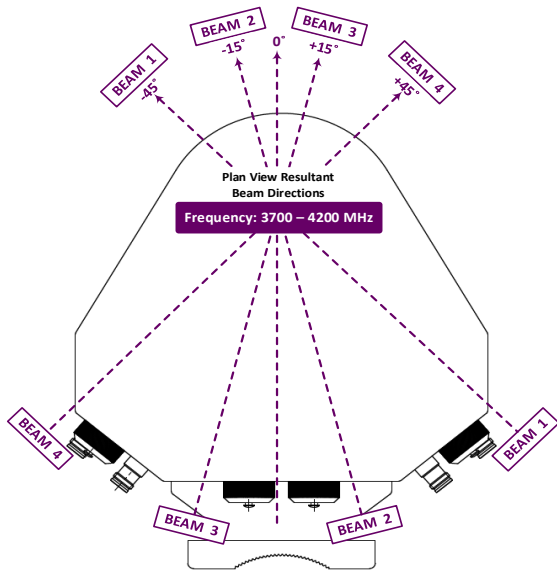
- 4.10 Bolts & Nuts Requirements
  - 4.11 Bolts & Nuts
  - 4.12 Bracket
- 4.20 Tools Requirement
  - 4.21 Adjustable Spanner
  - 4.22 M12 Spanner
- 4.30 Bracket Spacing & Installation Sample

#### Revision History:

Date	Description	Revised by	Revision nos.

# 1.00 BEAMS & CONNECTORS:

## 1.10 Plan View Resultant Beam Layout

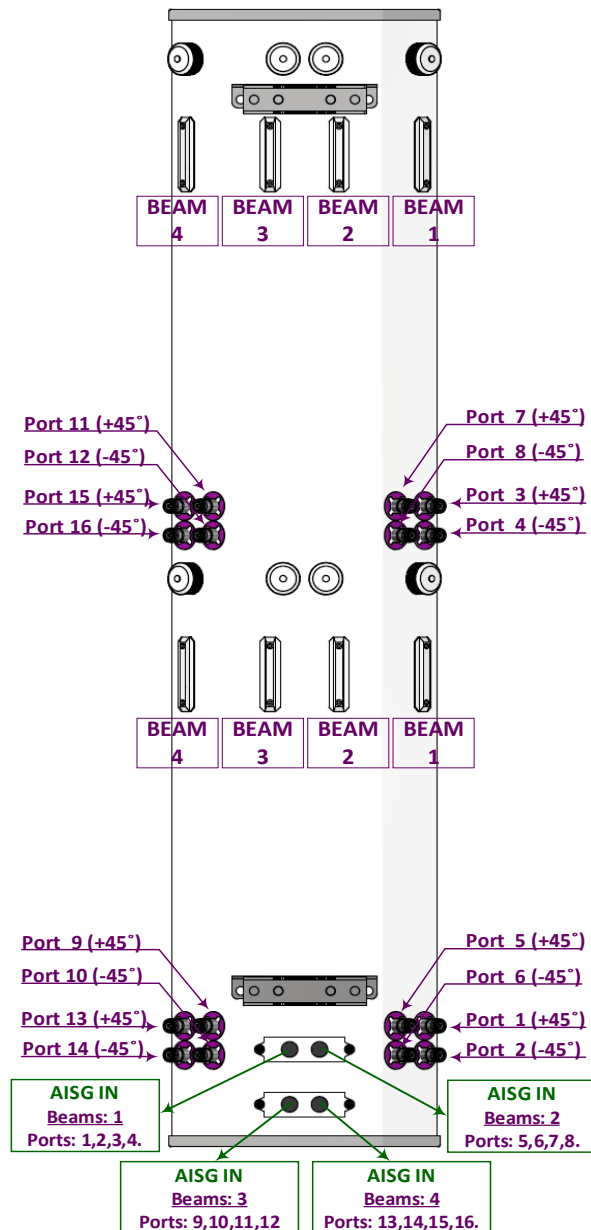


## 1.20 Connector Port Table

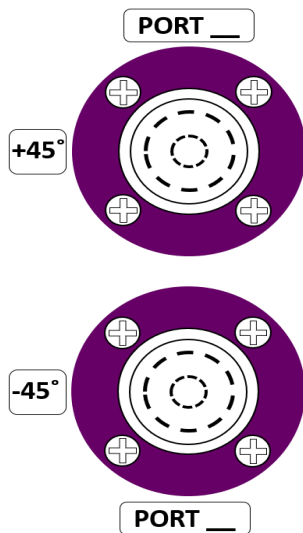
BEAM 4	BEAM 3	BEAM 2	BEAM 1
Port 13 (+45°)	Port 9 (+45°)	Port 5 (+45°)	Port 1 (+45°)
Port 14 (-45°)	Port 10 (-45°)	Port 6 (-45°)	Port 2 (-45°)
Port 15 (+45°)	Port 11 (+45°)	Port 7 (+45°)	Port 3 (+45°)
Port 16 (-45°)	Port 12 (-45°)	Port 8 (-45°)	Port 4 (-45°)

## 1.40 Connector Layout

**MS-MBA-4-C4A3**  
REAR VIEW CONNECTOR LAYOUT

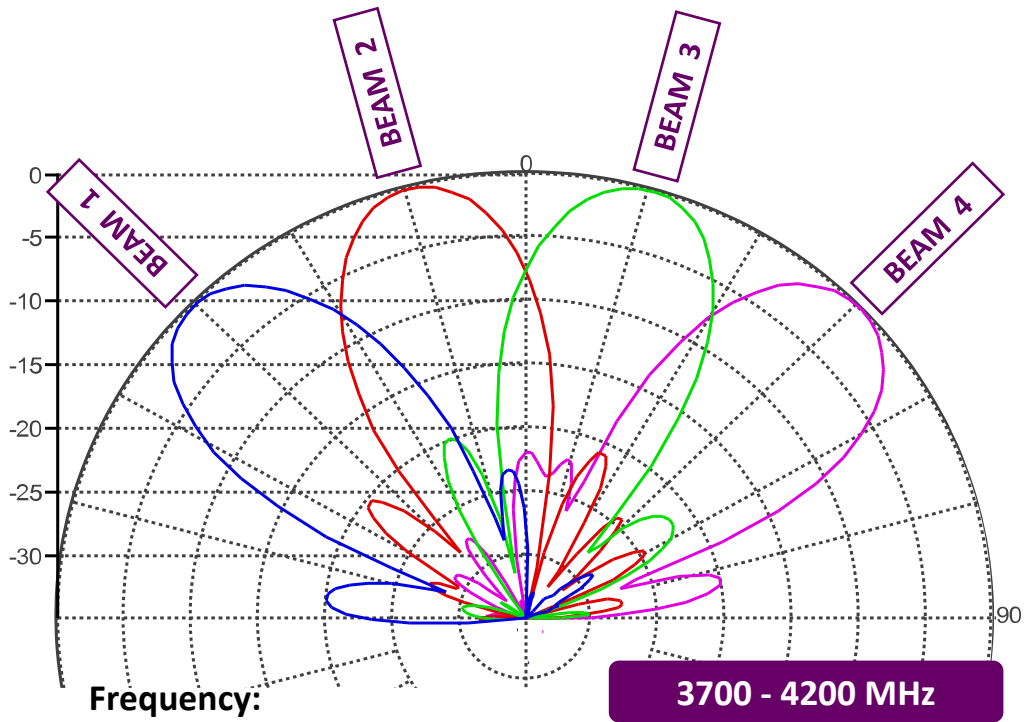


## 1.30 Connector Detail

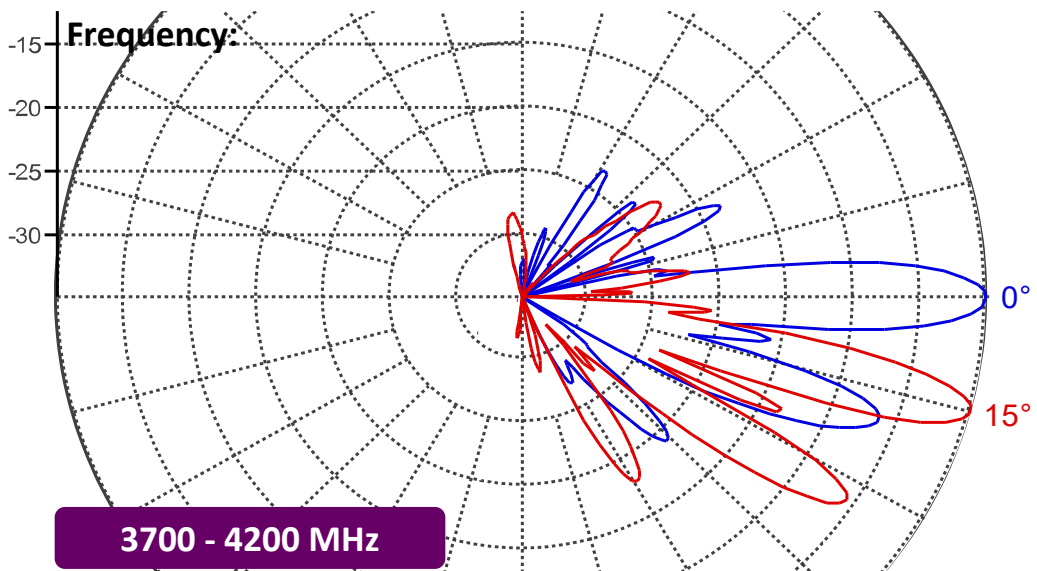


## 2.00 PATTERN DIAGRAM

### 2.10 Horizontal Pattern

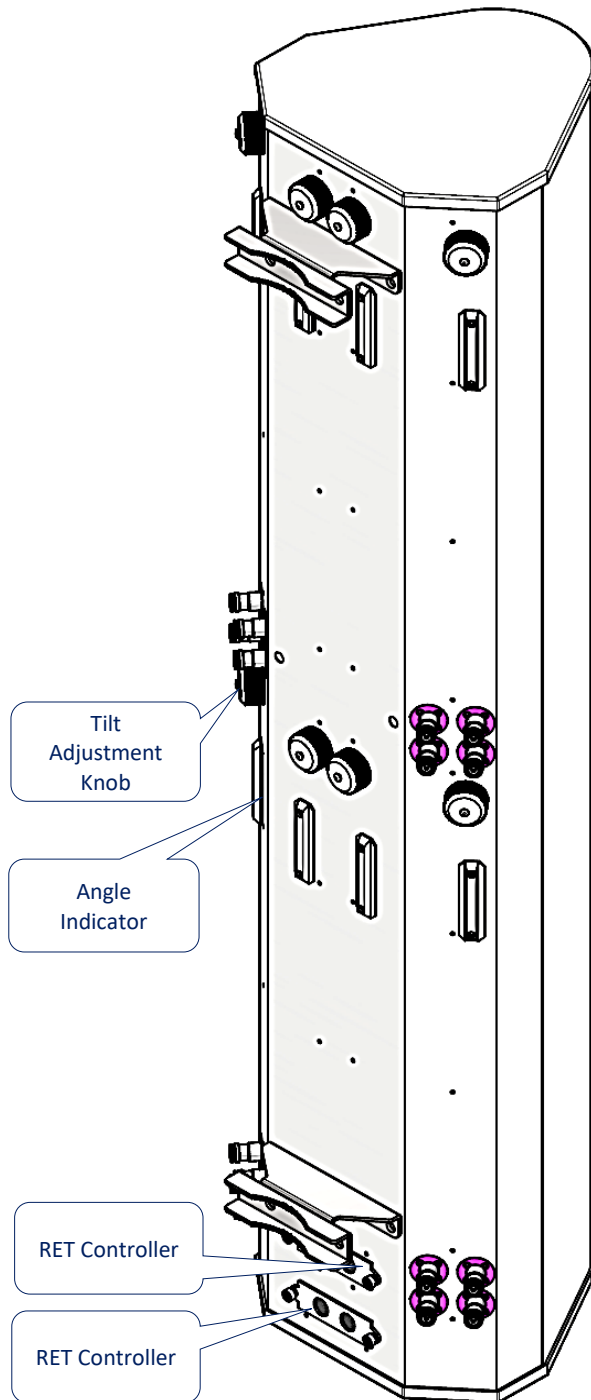


### 2.20 Vertical Pattern



### 3.00 MANUAL TILT ADJUSTMENT

1	The MBA antenna come in RET mode as default, but if needed can also be manually adjusted. To do so, please unscrew the waterproof cap behind the element whose tilt is to be adjusted.
2	By Default the knob is on engaged mode, pull out the handle for manual tilt adjustment, turn the handle to change the tilt.
3	When done, push the handle back in, screw the waterproof cap back to the position.



**Unscrew/Screw the cap for tilt adjustment process**



**Engaged with internal RET motor position**



**Pull handle out to disengaged RET for tilt adjustment**



## 4.00 BRACKET INSTALLATION

### 4.10 Bolts & Nuts Requirements

Bracket	Bolts		Nuts	
	Qty	Size	Qty	Size
2	M12 x 200mm	4	M12	10

### 4.11 Bolts & Nuts



### 4.12 Bracket



### 4.20 Tools Requirement

#### 4.21 Adjustable Spanner



#### 4.22 M12 Spanner



### 4.30 Bracket Spacing & Installation Sample

